

FLAX

WATERFREE URINAL
VITREOUS CHINA



Patented, sealed cartridge uses a biodegradable sealant liquid to control odors. 100% compatible with all Falcon Waterfree urinals, worldwide



Falcon Waterfree urinals reduce water and sewer costs, maintenance and repair bills, and create more hygienic, odour-free restrooms. A patented, sealed cartridge eliminates the need for water, conserving an average of 150.000 Liters per urinal each year.

With waterfree urinals, water does not have to be pumped to or from the urinal. This saves energy, which in turn reduces carbon dioxide emissions associated with energy production - emissions that would otherwise contribute to global warming.

Purchasing and installing Falcon Waterfree urinals is less expensive than manual and automatic flush units because flush valves and associated piping are not required. Maintenance costs and vandalism problems associated with flush valves are also eliminated.

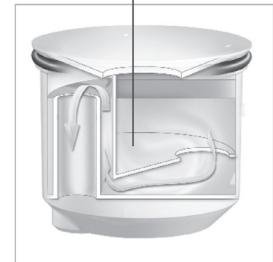
FEATURES	BENEFITS
• Touch-free operation	• Improved hygiene and safety
• Uses no water	• Reduced water and sewer costs
• Mechanical-free design	• No costly flush valve or sensor repairs
• Patented, sealed locking cartridge	• Odour-free and vandal proof
• Maintenance-free cartridge	• No need to replenish sealant between changes
• Smooth, non-porous surfaces	• Minimal care and easy cleaning
• Vitreous china bowl	• Unsurpassed durability



DIAGRAMS ILLUSTRATE HOW LIQUID SEALANT FLOATS ON WATER...



...AND HOW URINE PASSES THROUGH IT, BECOMING...



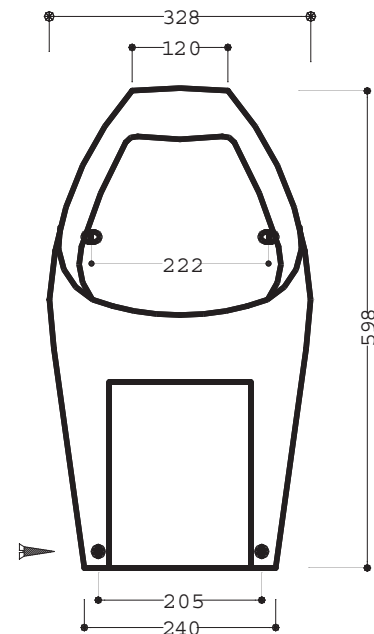
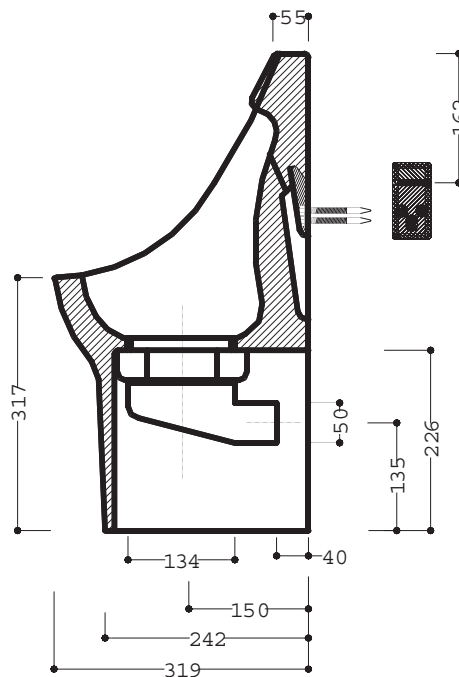
UNIQUE CARTRIDGE DESIGN REQUIRES NO ADDITION OF SEALANT BETWEEN CHANGES
...SECURELY ISOLATED FROM THE RESTROOM, WHILE PROCEEDING TO THE DRAIN

REPLACEMENT CARTRIDGE KITS INCLUDE

- Sealed cartridge
- Diverter shield
- Plastic installation key
- Pre-measured liquid sealant pack
- Disposal bag
- Plastic gloves
- Instruction sheet

ALSO AVAILABLE

- Installation hardware
- Drain line couplings



These dimensions are for informational purposes only. For specific rough-in dimensions, please refer to specification sheets available on our web site or contact us directly.



www.falconwaterfree.com

AUSTRALIAN WATERLESS PTY LTD

PO Box 303-Banyo-Queensland-4014
e-mail: sales@waterless-urinals.com

Phone: 0438 167 311
www.waterless-urinals.com

SOUTH PACIFIC WATERLESS LTD

PO Box 385 Silverdale Auckland. 0944

Phone: 64 9 4266 796
Fax: 64 9 426 1381